



VS
ADD

PRODUCT INFORMATION

VS ADD[®] BOX

BEAUTIFULLY TIDY, INSIDE AND OUT

The VS ADD® Box is more than just a box: It is the smallest building block in the Vauth-Sagel inner organisation system, which makes the functionality of our storage space solutions even more individual – precisely fitting, tailor-made, and not confined to the limits of the cabinet interior.

The VS ADD® Box creates space for the little things in life in every part of your home. It looks particularly good on VS ADD® Board shelving or as an inner compartment of the Planero® and Essentio shelf variants.

All the advantages at a glance



Metal boxes with open corners for ease of cleaning



Plastic boxes are dishwasher-safe



Plastic lids and boxes have an antimicrobial finish



Metal boxes have rubber pads: for non-slip, noise reduction and to prevent scratches



Design complements the Planero® and Essentio ranges



For use anywhere in the home, such as the lounge, kitchen, utility room, bathroom or elsewhere





The VS ADD® Box is the ideal addition to the VS ADD® Flex, shown here in the VS SUB® Larder



▶
The VS ADD® Box
fits perfectly into
the VS TAL® Larder
storage concept

VS ADD[®] Box Metal

For a range of purposes, VS ADD[®] Box is available in four different sizes and in steel or plastic. The collection is topped off with the accompanying lids.

DIMENSIONS

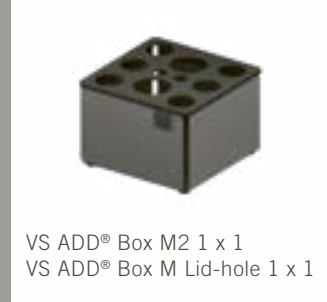
M2
1 x 1

W/H/D

4-1/8" / 2-3/4" / 4-1/8"



VS ADD[®] Box M2 1 x 1



VS ADD[®] Box M2 1 x 1
VS ADD[®] Box M Lid-hole 1 x 1



VS ADD[®] Box M2 1 x 1
VS ADD[®] Box M Lid 1 x 1

M3
1 x 1

W/H/D

4-1/8" / 5-1/2" / 4-1/8"



VS ADD[®] Box M3 1 x 1



VS ADD[®] Box M3 1 x 1
VS ADD[®] Box M Lid-hole 1 x 1



VS ADD[®] Box M3 1 x 1
VS ADD[®] Box M Lid 1 x 1

M2
2 x 1

W/H/D

8-1/2" / 2-3/4" / 4-1/8"



VS ADD[®] Box M2 2 x 1



VS ADD[®] Box M2 2 x 1
VS ADD[®] Box M Lid-hole 2 x 1



VS ADD[®] Box M2 2 x 1
VS ADD[®] Box M Lid 2 x 1

M3
2 x 1

B/H/T

8-1/2" / 5-1/2" / 4-1/8"



VS ADD[®] Box M3 2 x 1



VS ADD[®] Box M3 2 x 1
VS ADD[®] Box M Lid-hole 2 x 1



VS ADD[®] Box M3 2 x 1
VS ADD[®] Box M Lid 2 x 1

VS ADD[®] Box Plastic

DIMENSIONS/
FILLING QUANTITIES

P2
1 x 1

W/H/D

4-1/8" / 2-3/4" / 4-1/8"

5/8 qt



VS ADD[®] Box P2 1 x 1



VS ADD[®] Box P2 1 x 1
VS ADD[®] Box P Lid-hole 1 x 1



VS ADD[®] Box P2 1 x 1
VS ADD[®] Box P Lid 1 x 1

P3
1 x 1

W/H/D

4-1/8" / 5-1/2" / 4-1/8"

1-3/8 qt



VS ADD[®] Box P3 1 x 1



VS ADD[®] Box P3 1 x 1
VS ADD[®] Box P Lid-hole 1 x 1



VS ADD[®] Box P3 1 x 1
VS ADD[®] Box P Lid 1 x 1

P2
2 x 1

W/H/D

8-1/2" / 2-3/4" / 4-1/8"

1-3/8 qt



VS ADD[®] Box P2 2 x 1



VS ADD[®] Box P2 2 x 1
VS ADD[®] Box P Lid-hole 2 x 1



VS ADD[®] Box P2 2 x 1
VS ADD[®] Box P Lid 2 x 1

P3
2 x 1

B/H/T

8-1/2" / 5-1/2" / 4-1/8"

2-7/8 qt



VS ADD[®] Box P3 2 x 1



VS ADD[®] Box P3 2 x 1
VS ADD[®] Box P Lid-hole 2 x 1



VS ADD[®] Box P3 2 x 1
VS ADD[®] Box P Lid 2 x 1

VS ADD® ACCESSORIES \ VS ADD® BOX



ESSENTIO ▶

PLANERO® ▼

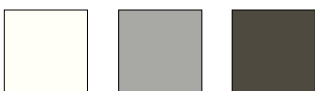


VS ADD® Boxes in combination with:
VS ADD® Board-3 Box-M Set
VS ADD® Board-5 Box-M Set
VS ADD® Board-7 Box-M Set
in white



Range of colours and finishes

Silk matt



white

silver

lava

Matt structure



alu ST

stone ST

nero ST



FURTHER INFORMATION AS WELL AS INSTALLATION INSTRUCTIONS AND VIDEOS:

WWW.VAUTH-SAGEL.COM

CONTACT: VS@VAUTH-SAGEL.COM

LAST UPDATED APRIL 2023

© BY VAUTH-SAGEL | ALL RIGHTS RESERVED

